

FIREXPIRE® RE-ASSEMBLY AND MAINTENANCE

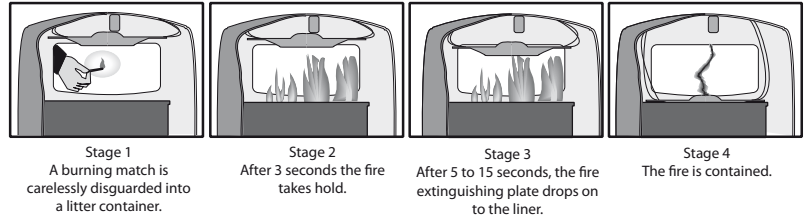
(External Litter Bin Range - Integro)

Please note: Firexpire is an effective low cost auxiliary device and must never replace primary fire prevention measures. Obstructions preventing the plate dropping may adversely affect the function of the unit, and as many Firexpire devices are used in unsupervised locations, regular inspection and immediate replacement of any damaged or distorted components is essential.

HOW IT WORKS

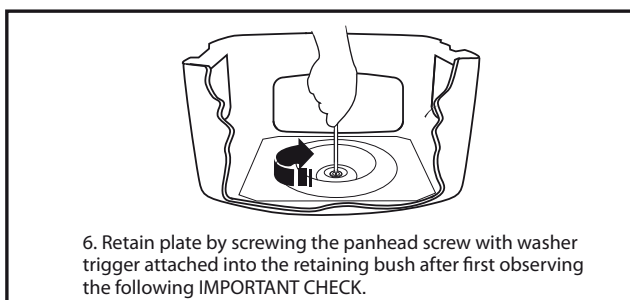
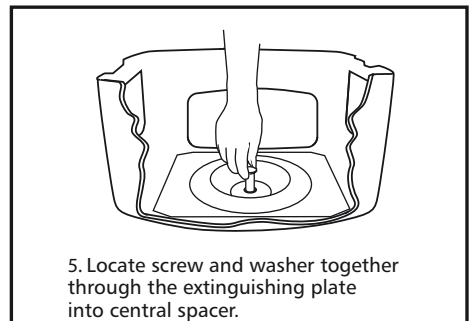
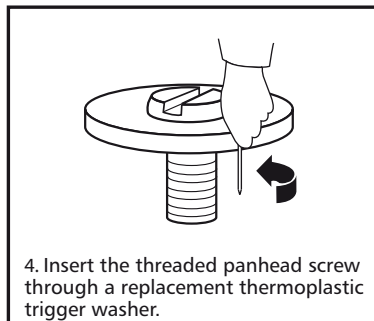
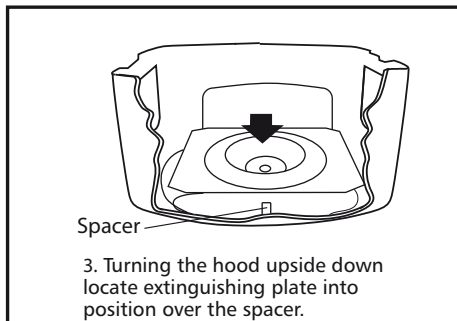
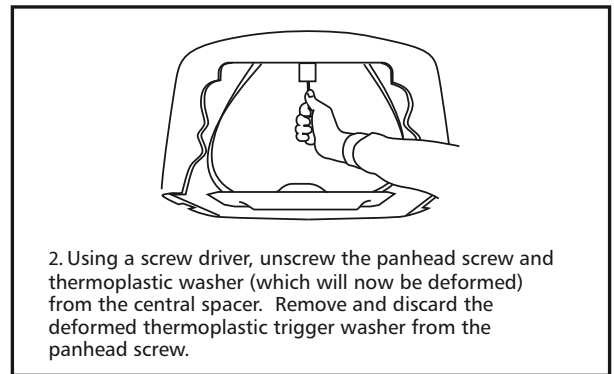
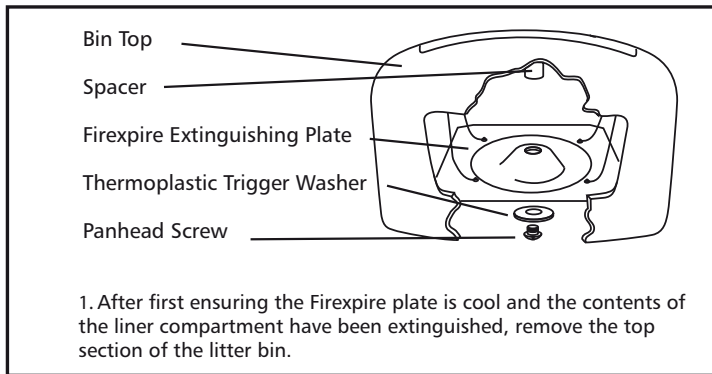
The Firexpire system includes four important components.

1. Spacer
2. Firexpire extinguishing plate
3. Thermoplastic trigger washer
4. Panhead screw



It works by having a plate suspended above aperture height secured by a panhead screw and a thermoplastic trigger washer. When a fire occurs inside the liner, the thermoplastic washer responds by releasing the Firexpire plate. This then drops, sealing the liner and starving the fire within of oxygen, thus snuffing out the fire.

INSTRUCTIONS TO REPLACE TRIGGER IF A FIRE HAS ACTIVATED THE FIREXPIRE PLATE.



IMPORTANT CHECK
Ensure Firexpire plate is absolutely central before tightening screw.

 **Glasdon®** AND **FIREXPIRE®** ARE TRADEMARKS OR REGISTERED TRADEMARKS OF GLASDON GROUP OR ITS SUBSIDIARIES IN THE U.K. AND OTHER COUNTRIES

- A planned maintenance schedule of regular inspection is recommended, replacing components as necessary.
- Replacement components are available direct from GLASDON.
- GLASDON cannot be held responsible for claims arising from incorrect installation, unauthorised modifications or misuse of the product.

Issue 2 Date June 2005 Stock no. C000/0182 Page 1 of 1

© Copyright June 2005. Glasdon reserve the right to alter price and specification without prior notice.



Glasdon®
Glasdon U.K. Limited

Preston New Road
BLACKPOOL
Lancashire
FY4 4UL

Tel: (01253) 600410
Fax: (01253) 792558
e-mail: sales@glasdon-uk.co.uk
web: www.glasdon.com